

GOODWE



User Manual

Smart Communication Unit
SCU3000-S&SCU3000&SCU3000A-S&SCU3000A

V1.2-2024-12-01

Copyright ©GoodWe Technologies Co., Ltd., 2023. All rights reserved.

No part of this document can be reproduced or transmitted to the public platform in any form or by any means without the prior written authorization of GoodWe.

Trademarks

GOODWE and other GoodWe trademarks are trademarks of GoodWe Company. All other trademarks or registered trademarks mentioned in this document are owned by the company.

NOTICE

The information in this document is subject to change due to product updates or other reasons. This document cannot replace the product labels or the safety precautions unless otherwise specified. All descriptions in the document are for guidance only.

CONTENT

- 01 About This document 1**
 - 1.1 Applicable Model..... 1
 - 1.2 Target Audience 1
 - 1.3 Symbol Definition..... 1
- 2 Safety Precaution 2**
 - 2.1 General Safety 2
 - 2.2 Grounding Safety 2
 - 2.3 Personal Safety..... 2
 - 2.4 Equipment Safety..... 2
 - 2.5 Definition of Warning Labels 3
 - 2.6 Personnel Requirements..... 3
 - 2.7 EU Declaration of Conformity..... 3
 - 2.8 Cyber Security Declaration of Conformity 3
- 3 Product Introduction 4**
 - 3.1 Product Overview..... 4
 - 3.2 Model Description..... 4
 - 3.3 Networking 5
 - 3.4 Parts and Dimension 6
 - 3.5 Nameplate 7
 - 3.6 Internal Composition..... 8
 - 3.7 Electrical Diagram 9
 - 3.8 RS485 Communication Networking..... 10
 - 3.9 PLC Communication Networking 11
- 4 Check and Storage 12**
 - 4.1 Check Before Receiving..... 12
 - 4.2 Storage 12
 - 4.3 Deliverables 12
- 5 Installation 13**
 - 5.1 Installation Requirements..... 13
 - 5.2 SCU Installation 15
 - 5.2.1 Moving the SCU 15
 - 5.2.2 Wall-Mounting 15
 - 5.2.3 Pole-Mounting 16
 - 5.2.4 Standing-Mounting 16

5.3	Opening the Cabinet Door.....	17
6	Electrical Connection	18
6.1	Safety Precaution	18
6.2	Connecting the PE Cable	20
6.3	Three-Phase AC Input Cable	21
6.4	Connecting the Single-Phase Power Cable.....	22
6.5	Connecting the RS485 Communication Cable.....	22
6.6	Connecting the Optical Fiber	23
6.7	Connecting the DO/DI/AI/PT100/PT1000 Signal Cable	23
7	Equipment Commissioning	24
7.1	Check before Power On.....	24
7.2	Power On.....	24
8	System Commissioning	26
8.1	Commissioning the SCU.....	26
8.2	Closing the Cabinet Door	26
9	Maintenance	27
9.1	Power Off	27
9.2	Maintenance	27
9.3	Removing the SCU	28
9.4	Disposing of the SCU	28
9.5	Troubleshooting.....	28
10	Technical Parameters	29

01 About This document

This document describes the product information, installation, electrical connection, commissioning, troubleshooting, and maintenance. Read through this document before installing and operating the product. All the installers and users have to be familiar with the product features, functions, and safety precautions. This document is subject to update without notice. For more product details and latest documents, please visit www.goodwe.com.

1.1 Applicable Model




This document applies to Smart Communication Unit: SCU3000-S, SCU3000, SCU3000A-S, and SCU3000A. (SCU for short)

1.2 Target Audience

This document applies to trained and knowledgeable technical professionals only. The technical personnel has to be familiar with the product, local standards, and electric systems.

1.3 Symbol Definition

Different levels of warning messages in this document are defined as follows:

 DANGER
Indicates a high-level hazard that, if not avoided, will result in death or serious injury.
 WARNING
Indicates a medium-level hazard that, if not avoided, could result in death or serious injury.
 CAUTION
Indicates a low-level hazard that, if not avoided, could result in minor or moderate injury.
NOTICE
Highlights key information and supplements the texts. Or some skills and methods to solve product-related problems to save time.

2 Safety Precaution

WARNING

The equipment is designed and tested strictly in compliance with related safety rules. Read and follow all the safety instructions and cautions before any operations. Improper operation might cause personal injury or property damage as the equipments are electrical equipment.

2.1 General Safety

NOTICE

- The information in this document is subject to change due to product updates or other reasons. This document cannot replace the product labels or the safety precaution unless otherwise specified. All descriptions in the document are for guidance only.
- Before installations, read through this document to learn about the product and the precautions.
- All installations should be performed by trained and knowledgeable technicians who are familiar with local standards and safety regulations.
- Strictly follow the installation, operation, and configuration instructions in this document. The manufacturer shall not be liable for equipment damage or personal injury if you do not follow the instructions. For more warranty details, visit <https://en.goodwe.com/warranty>.

2.2 Grounding Safety

DANGER

When installing the equipment, the grounding cable must be installed first; when removing the equipment, the grounding cable must be removed last.

WARNING

- Connect a PE cable to the nearest grounding point of the equipment.
- Choose the grounding point on the cabinet for grounding as priority.
- Make sure the equipment is reliably grounded before operation.

2.3 Personal Safety

DANGER

- Use insulating tools and wear personal protective equipment (PPE) when operating the equipment to ensure personal safety.
- Do not touch the equipment when it is short-circuited. Keep away from the equipment, and turn off the power immediately.
- Before wiring, disconnect all upstream switches to ensure the equipment is not powered on.

2.4 Equipment Safety

DANGER

Make sure the installation place is solid enough to bear the equipment weight before installation.







WARNING

- Use appropriate tools for proper installation, maintenance, etc.
- Observe local standards and safety regulations when operating the equipment.
- Unauthorized disassembly or modification may cause damage to the equipment, which is not covered within the warranty scope.

2.5 Definition of Warning Labels

⚠ DANGER

- All labels and warning marks must be clear and distinct after the installation. Do not block, alter, or damage any label.
- Warning labels on the equipment are as follows.

	HIGH VOLTAGE HAZARD Power off the equipment before any operations.		Potential risks exist. Wear proper PPE before any operations.
	Read through the document before any operations.		Grounding point.
	CE marking		Do not dispose of the equipment as household waste. Discard the product in compliance with local laws and regulations, or send it back to the manufacturer.

2.6 Personnel Requirements

NOTICE

- Personnel who install or maintain the equipment must be strictly trained, learn about safety precautions and correct operations.
- Only qualified professionals or trained personnel are allowed to install, operate, maintain, and replace the equipment or parts.

2.7 EU Declaration of Conformity

GoodWe Technologies Co., Ltd. hereby declares that the equipment without wireless communication modules sold in the European market meets the requirements of the following directives:

- Electromagnetic compatibility Directive 2014/30/EU (EMC)
- Electrical Apparatus Low Voltage Directive 2014/35/EU (LVD)
- Restrictions of Hazardous Substances Directive 2011/65/EU and (EU) 2015/863 (RoHS)
- Waste Electrical and Electronic Equipment 2012/19/EU
- Registration, Evaluation, Authorization and Restriction of Chemicals (EC) No 1907/2006 (REACH)

You can download the EU Declaration of Conformity on: <https://en.goodwe.com>.

2.8 Cyber Security Declaration of Conformity

Remote Data Collection Statement

Equipment manufacturers will regularly and remotely collect limited non sensitive data generated during product use, including abnormal event information and indicator information, such as system alarm information, illegal operation records, abnormal scalar measurement, etc. This can help the backend technical team of equipment manufacturers timely discover problems in the system and respond, reducing customer losses.

GW Security Vulnerabilities Management

The GOODWE Product Network Security Processing Team (PNSPT) is dedicated to addressing security vulnerabilities in GOODWE products. These vulnerabilities, unlike quality defects, must be exploited by an attacker to cause harm. PNSPT commits to managing security issues according to relevant standards, reducing vulnerabilities, and providing timely risk mitigations to minimize harm to customers.

Key Commitments:

1. Vulnerability Management:

- Reduce and eliminate security risks for customers.
- Provide prompt risk mitigations after discovering vulnerabilities.

- Identify and manage responsibilities, including legal, contractual, and public standards.
- Continuously improve processes and standards based on industry best practices.

2. Reporting Vulnerabilities:

- Encourages reporting from security researchers, organizations, customers, and suppliers.
- Reports should include a description, product model, software version, and contact information via email to service@goodwe.com.
- Maintain confidentiality until a solution is available.

3. Vulnerability Response:

- Analyze, validate, and assess the severity of reported vulnerabilities. After receiving the vulnerability report, we will analyze it and reply to the customer within 7 days.
- Develop and prioritize remediation strategies, including patches and risk mitigations. When the vulnerability is confirmed, we will provide a fixing plan within 30 days. After the plan is confirmed, we will fix the vulnerability and verify it, and issue updates within 90 days.
- Work with suppliers for vulnerability remediation when necessary.

4. Confidentiality and Data Protection:

- Ensure information is shared only among relevant handlers.
- Protect data and maintain confidentiality until solutions are provided.
- Comply with legal requirements and protect obtained data.

5. Service Term Statement

The equipment manufacturer commit to providing ongoing updates and maintenance of software and security features for five years after product release, ending on September 30, 2029. After the security update support period is extended, it will be updated in time later; after the security update support period is released, it will not be shortened later.

PNSPT ensures a proactive and responsible approach to managing security vulnerabilities, aiming to maintain the integrity, availability, and confidentiality of GOODWE products and services.

3 Product Introduction

3.1 Product Overview

- The SCU products, including SCU3000-S, SCU3000, SCU3000A-S, and SCU3000A, are outdoor smart communication units, integrating EzLogger, PLC module, Fiber channel switch (FC switch), Fiber optic splice closure (FOSC), and so on, which
- Supports receiving and processing data reported by inverters via PLC or RS485 communication.
- Is able to report or receive commands from the monitoring platform via Ethernet or the optical fiber.
- Allows multiple SCUs to communicate in a fiber ring network with built-in FC switch.
- Supports wall mounting, standing and pole mounting, which is convenient for equipment installation, maintenance and other operations.
- Equips security locks on the cabinet door to ensure the safety of the equipment.

3.2 Model Description

SCU3000A-S

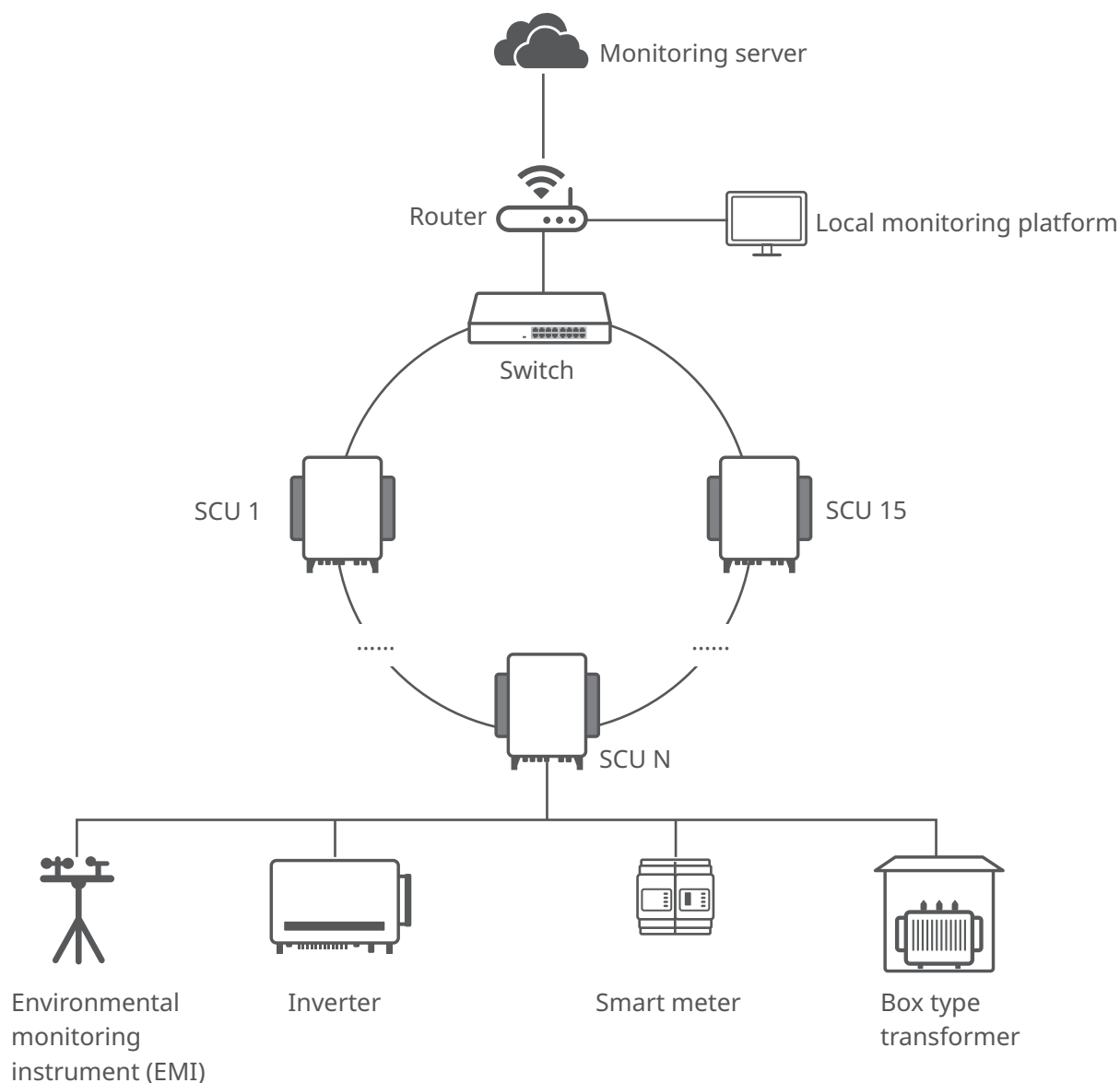
1 2 3 4

No.	Explanation	
1	Product type	SCU: Smart Control Unit
2	Generation code	3000: third generation
3	Hardware version code	<ul style="list-style-type: none"> • None: first generation, PLC communication • A: second generation, HPLC communication
4	Number of PLC communication cables	<ul style="list-style-type: none"> • None: two PLC communication cables connected • S: single PLC communication cable connected

NOTICE:

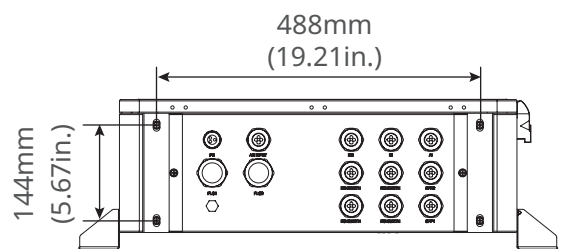
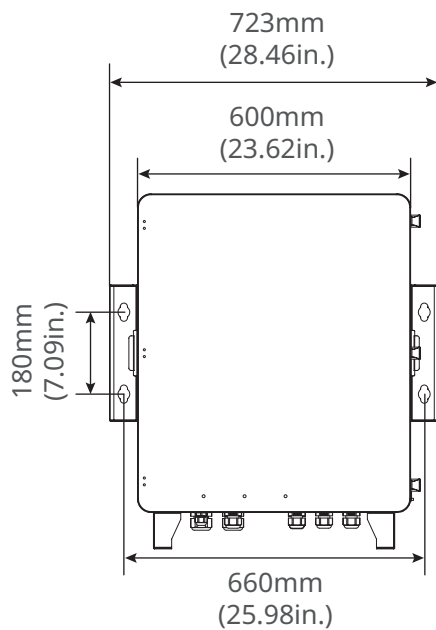
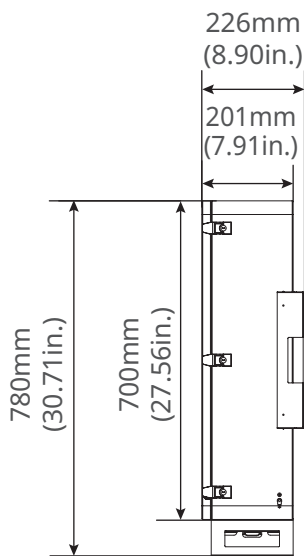
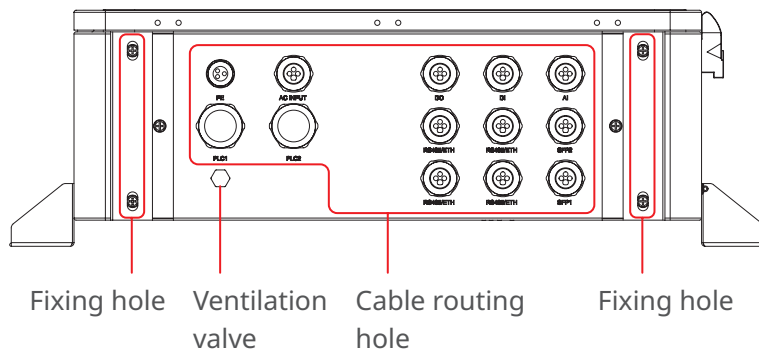
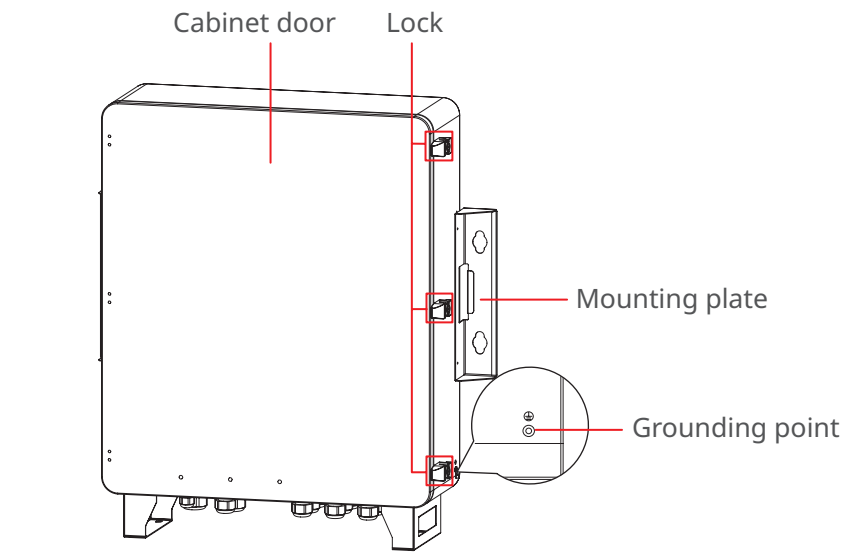
SCU3000 and SCU3000-S are integrated with Ezlogger3000U. SCU3000A and SCU3000A-S are integrated with Ezlogger3000U-A

3.3 Networking




- Supports up to 15 SCUs for fiber ring networking.
- A single PLC communication channel in SCU can support a maximum of 60 inverters' connections.
- A single RS485 communication channel in SCU can support a maximum of 20 inverters' connections.
- Within the same sub-array, do not mix PLC equipment from different manufacturers. If mixing is required, consult the manufacturer in advance for compatibility verification.

3.4 Parts and Dimension

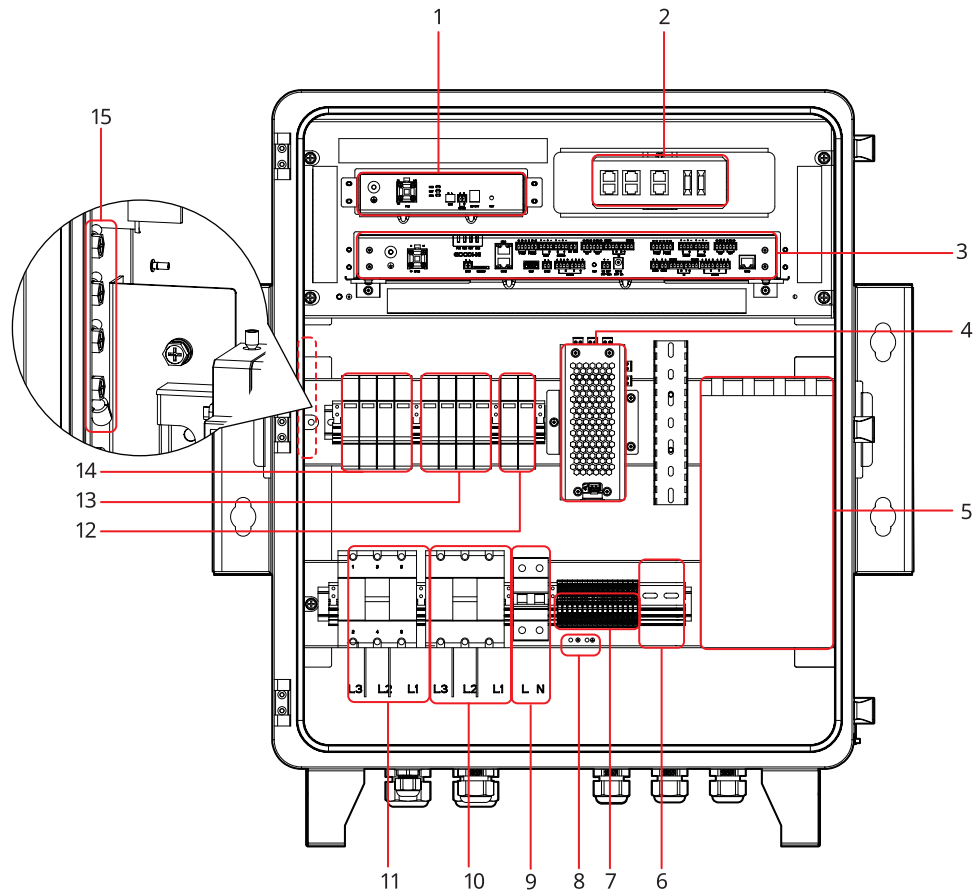


3.5 Nameplate

The nameplate is for reference only.

Product: Smart Communication Unit Model: SCU3000		Product type and model
Input	$U_{AC}: 100 \dots 240 \text{ V a.c.}$	Technical parameters
	$P_{AC,r}: \leq 35 \text{ W}$	
	$f_{AC,r}: 50/60 \text{ Hz}$	
Toperating: -30-60°C , IP65, Protective Class I PLC+RS485		
		Safety symbols and certification marks
S/N		
GOODWE Manufacturer: GoodWe Technologies Co., Ltd. E-mail: service@goodwe.com No.90 Zijin Rd., New District, Suzhou, 215011, China Importer: GoodWe Europe GmbH (Only For Europe) Kistlerhofstrasse 17081379 Muenchen Germany Made in China		GoodWe Logo, contact information and serial number

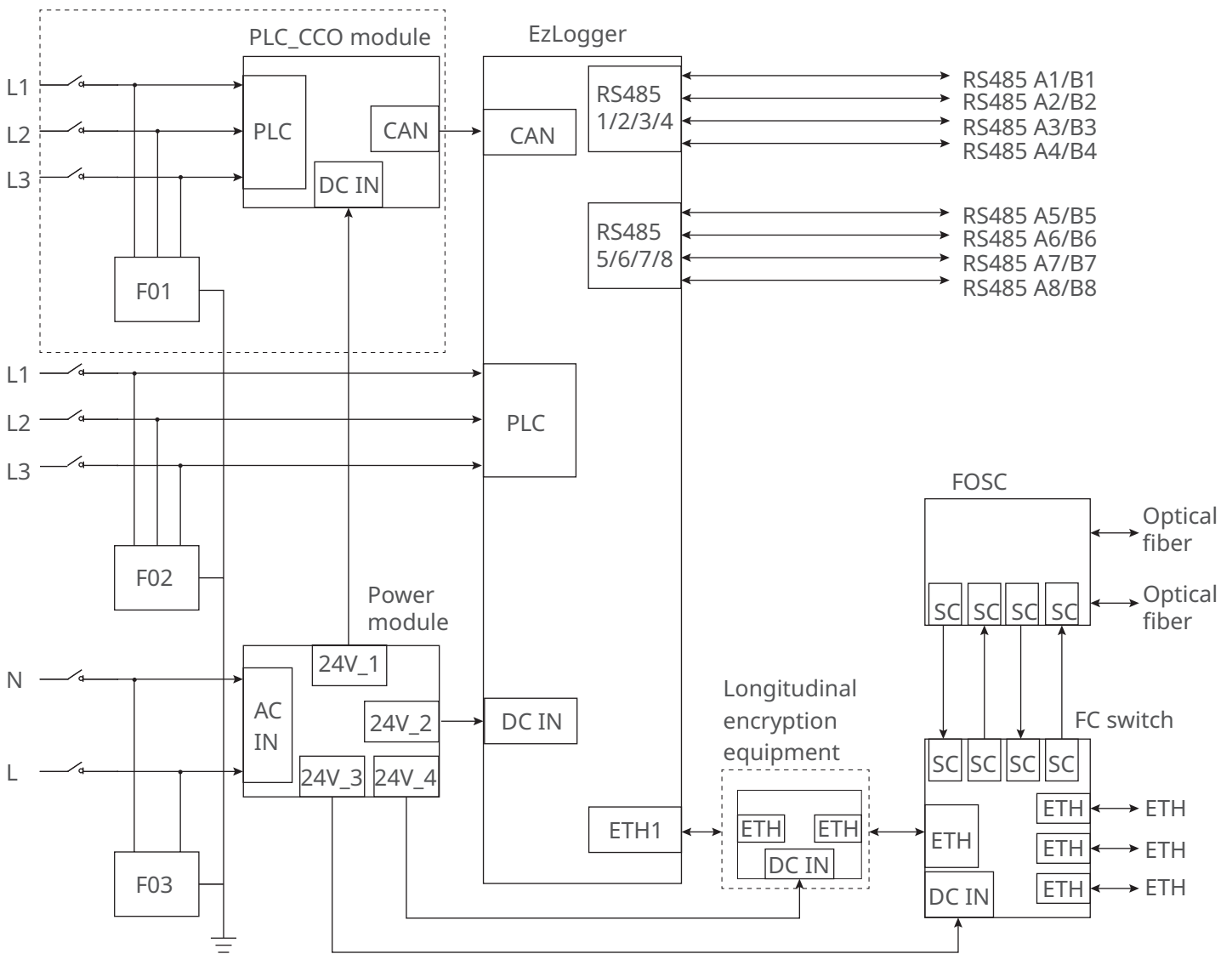
3.6 Internal Composition



No.	Item	Explanation
1	(Optional) PLC CCO module	(Optional) PLC CCO module is used in dual split-box transformer scenarios. Used to report and deliver Optional integrated module. SCU3000A: HPLC_CCO module. SCU3000: PLC_CCO module. There is no PLC_CCO module for SCU3000A-S and SCU3000-S.
2	Switch	The switch is a 2-fiber 6-electrical industrial ring network switch. It is internally connected to EzLogger via electrical ports and externally connected to the router, switch, or computer via Ethernet cables or optical fibers.
3	EzLogger	Smart data logger. SCU3000 and SCU3000-S: integrated with Ezlogger3000U. SCU3000A and SCU3000A-S: integrated with Ezlogger3000U-A.
4	Power adapter	An AC to DC power module that provides 24V, 3.2A DC power to SCU.
5	Fiber optic splice closure (FOSC)	Used to connect to the switch via the optical ports internally, and to lead out the fiber externally.
6	Reserved installation place	Prepare other devices if needed. Rail specification: 35mm in height and 45mm in width.
7	RS485 communication terminal	Connects to the RS485 communication terminal.
8	Grounding point for RS485 communication	Grounding point for the shielding layer of the RS485 communication cable.
9	Single-phase input switch	Single-phase AC circuit breaker, with a specification of 1P, 400V, 25A.
10	Three-phase input switch	Three-phase AC circuit breaker, with a specification of 3P, 1000V, 32A, which connects with PLC1 cable.

No.	Item	Explanation
11	(Optional) Three-phase input switch	Three-phase AC circuit breaker, with a specification of 3P, 1000V, 32A, which connects with PLC2 cable.
12	Surge protection module (SPD)	Single-phase AC surge protection module with a specification of 385V AC/20kA.
13	Surge protection module (SPD)	Three-phase AC surge protection module with a specification of 1500V AC/20kA.
14	(Optional) Surge protection module	Three-phase AC surge protection module with a specification of 1500V AC/20kA.
15	Grounding bar for protection	Protective earthing (PE) bar to protect the SCU.

3.7 Electrical Diagram

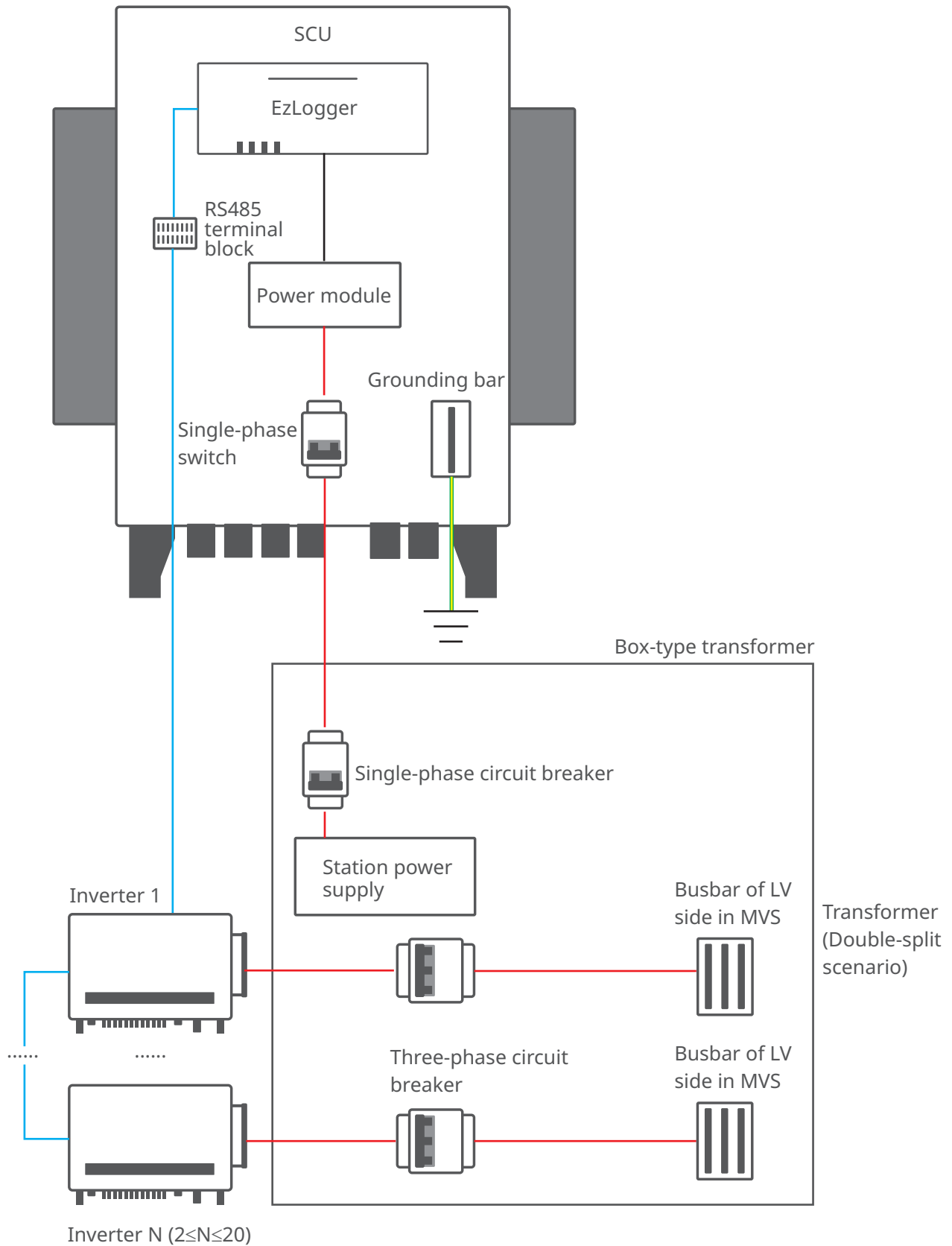


NOTICE:

- Optional integrated module. SCU3000A: HPLC_CCO module. SCU3000: PLC_CCO module.
- SCU3000 and SCU3000-S: integrated with Ezlogger3000U. SCU3000A and SCU3000A-S: integrated with Ezlogger3000U-A.
- Longitudinal encryption equipment: optional.
- F01/F02/F03 are Surge protection modules.

3.8 RS485 Communication Networking

The SCU supports connecting to inverters, transformers, environmental monitoring equipments, and other equipments via the RS485 communication.

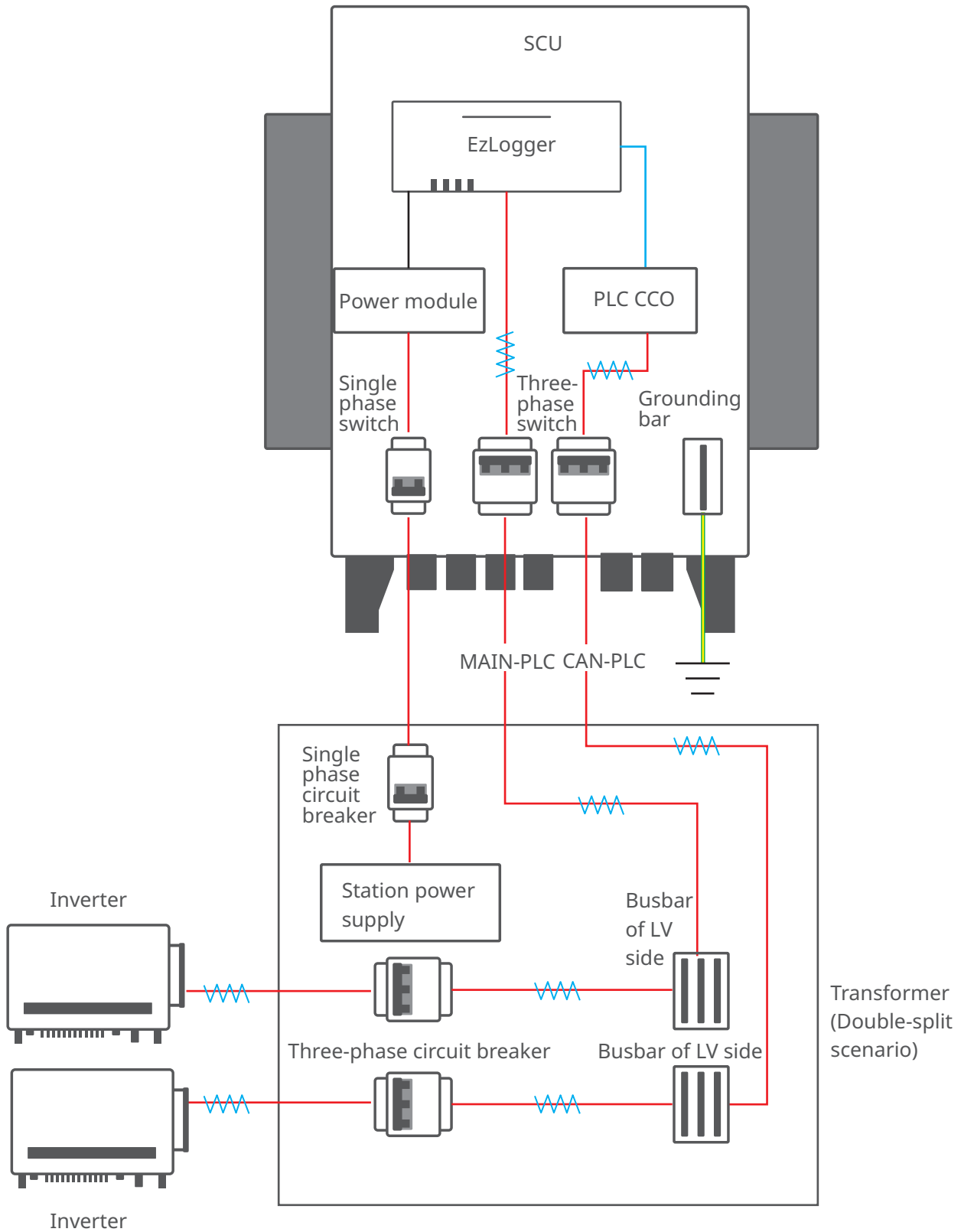


3.9 PLC Communication Networking

SCU supports PLC communication.

When connecting to a dual-winding transformer, only one PLC communication is required through the three-phase AC wire.

When connecting to a split transformer, two PLC communications are required through the three-phase AC wire.



— PE cable

— AC cable

— Signal cable

— Power cable

4 Check and Storage

4.1 Check Before Receiving

Check the following items before receiving the product.

1. Check the outer packing box for damage, such as holes, cracks, deformation, and others signs of equipment damage. Do not unpack the package and contact the supplier as soon as possible if any damage is found.
2. Check the product model. If the product model is not what you requested, do not unpack the product and contact the supplier.
3. Check the deliverables for correct model, complete contents, and intact appearance. Contact the supplier as soon as possible if any damage is found.

4.2 Storage

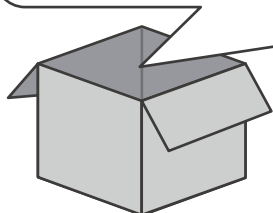
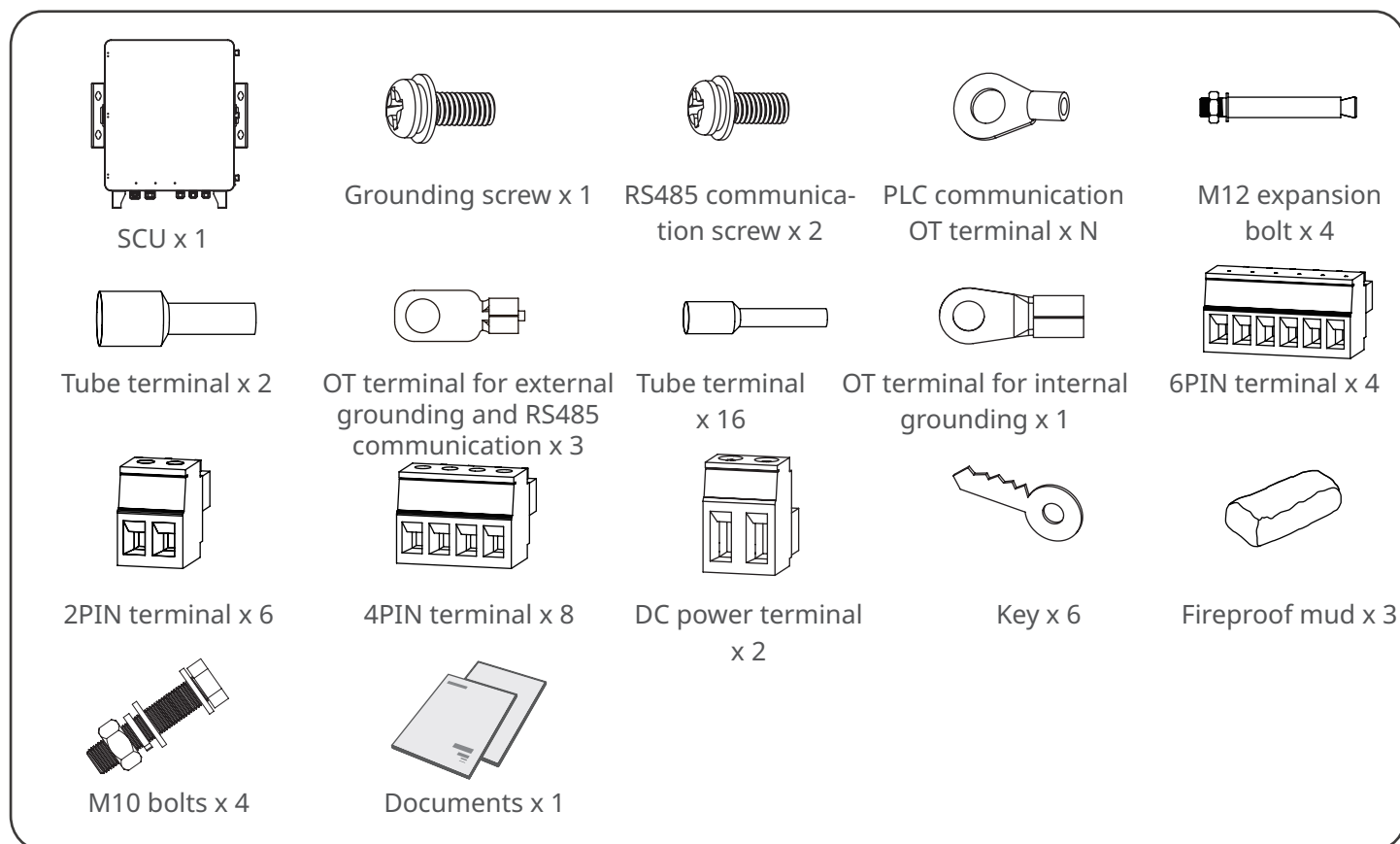
If the equipment is not to be installed or used immediately, please ensure that the storage environment meets the following requirements:

1. Do not unpack the outer package or throw the desiccant away.
2. Store the equipment in a clean place. Make sure the temperature and humidity are appropriate and no condensation.
3. Stack the equipment complying with the labels and requirements on the packing box.
4. The equipment must be stacked with caution to prevent them from falling.
5. If the equipment has been long term stored, it should be checked by professionals before being put into use.

4.3 Deliverables

NOTICE

- Use the delivered terminals and screws. The manufacturer shall not be liable for the equipment damage if other screws or terminals are used.
- PLC communication OT terminals: 6 in double-split scenario, 3 in dual-winding scenario.



5 Installation

5.1 Installation Requirements

Installation Environment Requirements



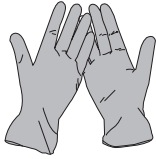
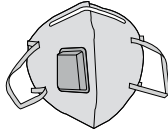
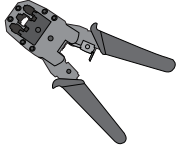

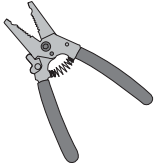
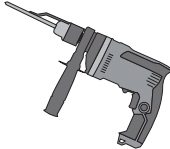

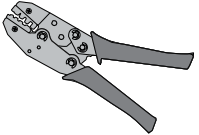


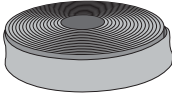

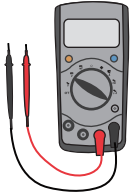

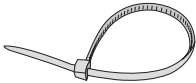
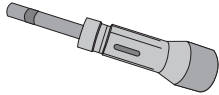
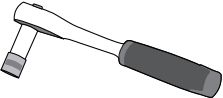
1. Do not install the equipment in a place near flammable, explosive, or corrosive materials.
2. Install the equipment on a surface that is solid enough to bear its weight.
3. The place to install the equipment shall be well-ventilated for heat radiation and large enough for operations.
4. The equipment with a high ingress protection rating can be installed outdoors. The temperature and humidity at the installation site should be within the appropriate range.
5. It is recommended to install the equipment in a sheltered place.
6. Do not install the equipment in a place that is easy to touch, especially within children's reach.
7. Install the equipment at a height that is convenient for operation and maintenance, electrical connections, and checking indicators and labels.
8. Install the equipment away from electromagnetic interference.

Mounting Support Requirements

- The mounting support shall be nonflammable and fireproof.
- Install the equipment on a surface that is solid enough to bear its weight.

Installation Tool Requirements

The following tools are recommended when installing the equipment. Use other auxiliary tools on site if necessary.

				
Goggles	Safety shoes	Safety gloves	Dust mask	RJ45 crimping tool
				
Diagonal pliers	Wire stripper	Hammer drill	Heat gun	Crimping tool
				
Marker	Level	Heat shrink tube	Rubber hammer	Multimeter
		 M3 M4/M6	 M5/M12	
Vacuum cleaner	Cable tie	Torque wrench	Socket wrench	

5.2 SCU Installation

5.2.1 Moving the SCU

CAUTION

Move the equipment to the site before installation. Follow the instructions below to avoid personal injury or equipment damage.

1. Consider the weight of the equipment before moving it. Assign enough personnel to move the equipment to avoid personal injury.
2. Wear safety gloves to avoid personal injury.
3. Keep the equipment in balance during moving to avoid its falling down.

5.2.2 Wall-Mounting

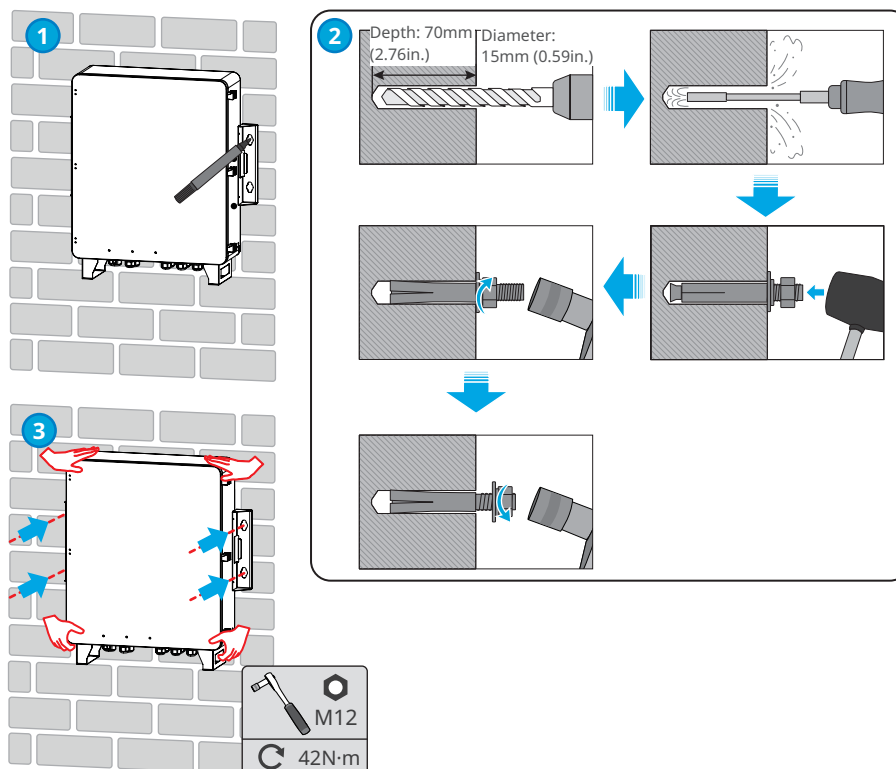
NOTICE

- Avoid the water pipes and cables buried in the wall when drilling holes.
- Wear goggles and a dust mask to prevent the dust from being inhaled or contacting eyes when drilling holes.

Step 1: Put the SCU on the wall horizontally and mark positions for drilling holes.

Step 2: Drill holes to a depth of 70mm(2.76in.) with the hammer drill. The diameter of the drill bit should be 15mm(0.59in.).

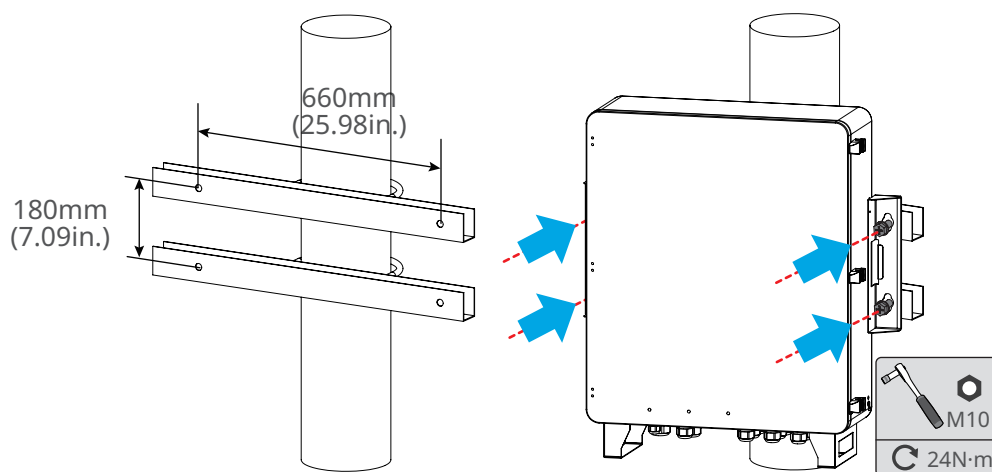
Step 3: Lift the SCU by two persons and hang it onto the expansion bolts. Secure the SCU with the assistance of a third person using a socket wrench to tighten the expansion bolts.



5.2.3 Pole-Mounting

NOTICE

When installing the SCU around a pole, prepare the necessary pole mounting accessories.



5.2.4 Standing-Mounting

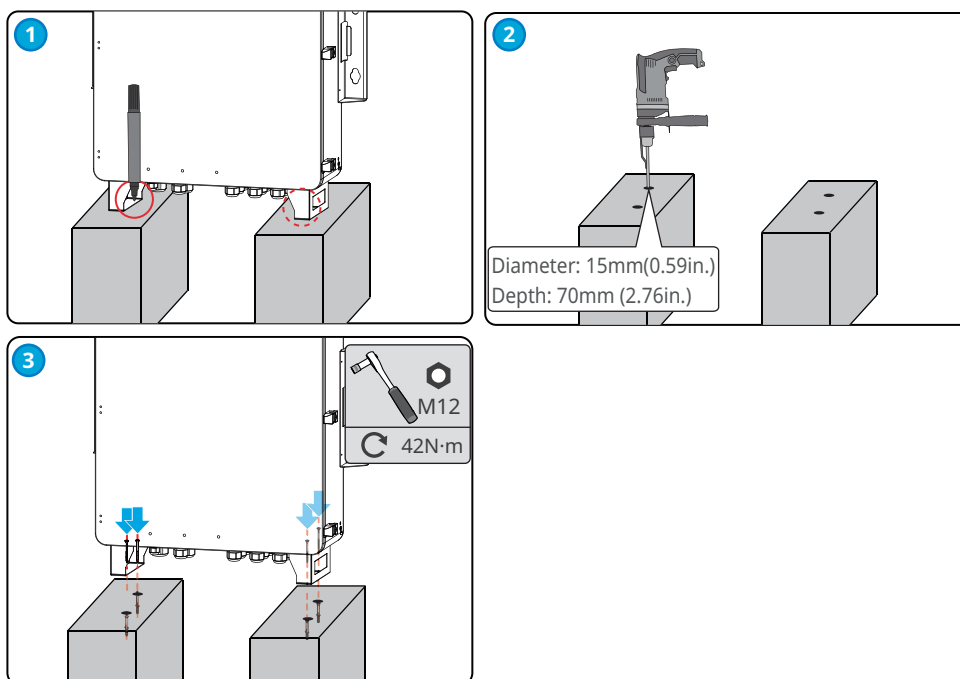
NOTICE

- When installing the SCU in a standing position, please choose a suitable location with two sturdy bases.
- It is recommended to use M12 bolts to secure the SCU to the bases.

Step 1: Put the SCU on two flat bases and mark positions for drilling holes.

Step 2: Drill holes to a depth of 70mm(2.76in.) with the hammer drill. The diameter of the drill bit should be 15mm(0.59in.).

Step 3: Fix the SCU on the bases with M12 bolts.



5.3 Opening the Cabinet Door

⚠ WARNING

- Take protective measures to prevent the rain or snow from entering the cabinet when opening the cabinet door in rainy or snowy weather. If the rain or snow cannot be prevented from entering the cabinet, do not open the cabinet door.
- Before opening the cabinet door, make sure that the main switch of the SCU is disconnected. If energized operation is required, please take appropriate insulation protection measures.

NOTICE

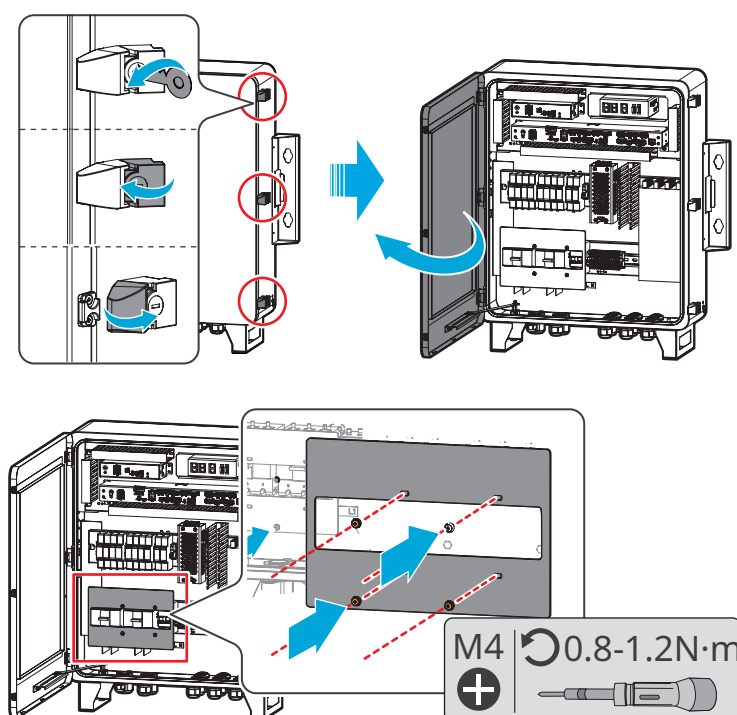
Please use the key to open the cabinet door of the SCU. Keep the keys properly after usage for future use.

Step 1: Insert the keys into the three lock cylinders separately.

Step 2: Turn the keys clockwise.

Step 3: Open the cabinet door.

Step 4: Remove the protective cover.



6 Electrical Connection

6.1 Safety Precaution

⚠ DANGER

- Disconnect all upstream switches of the SCU to power off the equipment before any electrical connections. Do not work with power on. Otherwise, an electric shock may occur.
- All operations, cables and parts specification during the electrical connection shall be in compliance with local laws and regulations.
- If the tension is too large, the cable may be poorly connected. Reserve a certain length of the cable before connecting it to the SCU cable port.

NOTICE

- Wear PPE like safety shoes, safety gloves, and insulating gloves during electrical connections.
- All electrical connections should be performed by qualified professionals.
- Cable colors in this document are for reference only. The cable specifications shall meet local laws and regulations.
- Tie the same type cables together, and place them at least 500mm away from cables of different types. Do not place the cables entangled or crossed.

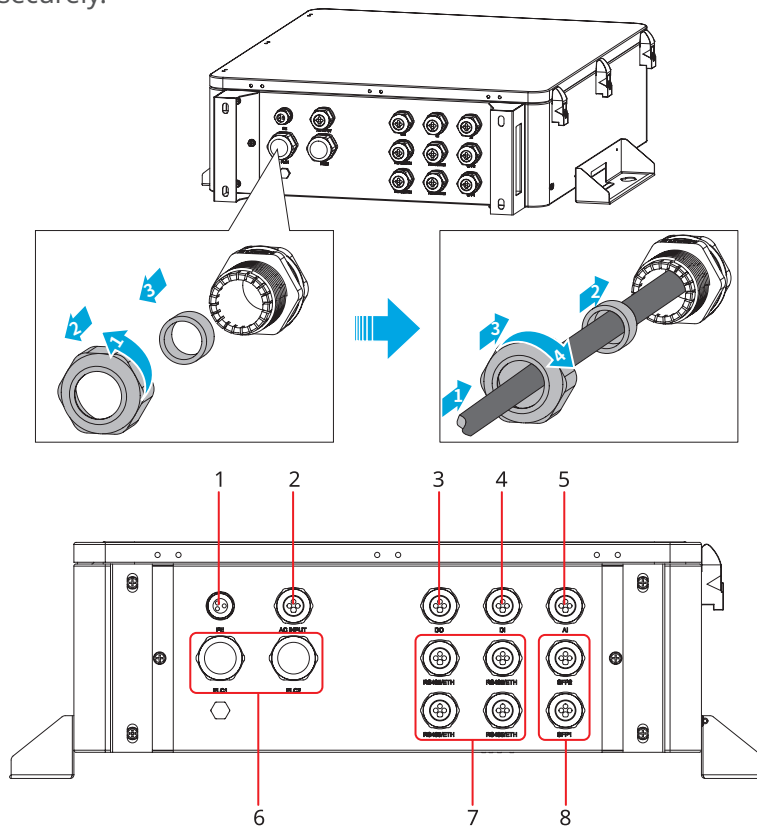
Connecting the Cables via Water Connectors

The SCU is connecting with exterior cables via waterproof connectors.

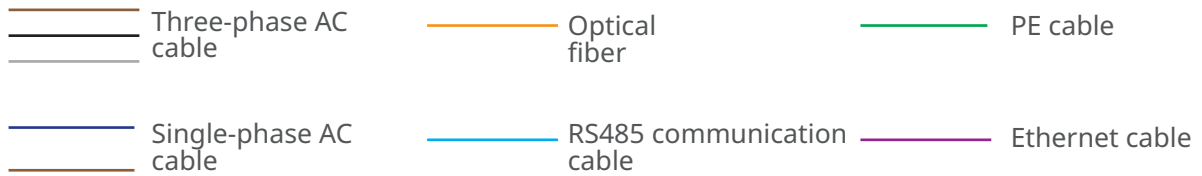
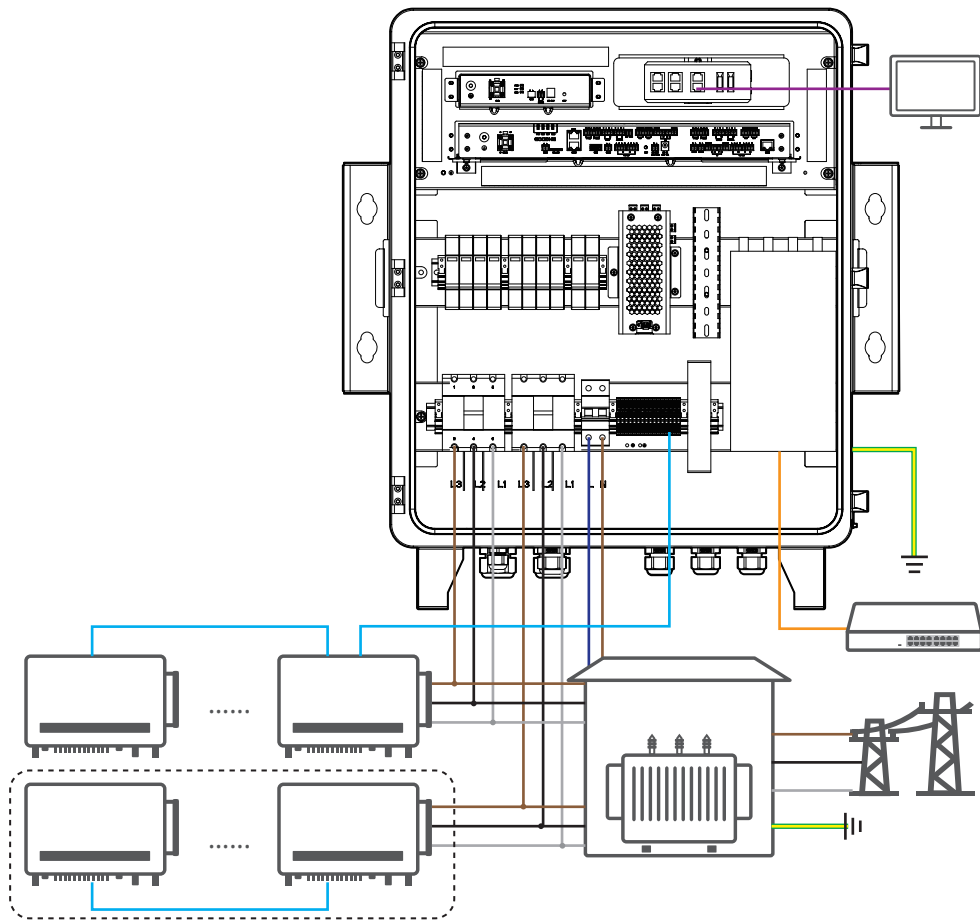
Step 1: Remove the locking cap from the waterproof connector, and remove the rubber ring.

Step 2: Route the cable through the locking cap and the rubber ring.

Step 3: Tighten the lock cap securely.



No.	Silkscreen	Cable through waterproof connectors	Max dimension of cable
1	PE	PE cable	18mm (0.71in.)
2	AC INPUT	Single-phase AC cable	23mm (0.91in.)
3	DO	DO signal cable	
4	DI	DI signal cable	
5	AI	AI signal cable and PT signal cable	25.4mm (1in.)
6	PLC1/PLC2	Three-phase AC cable	
7	RS485/ETH	RS485 communication cable/Ethernet cable	23mm (0.91in.)
8	SFP1 SFP2	Optical fiber	



No.	Item	Silkscreen	Cable Specification
1	Three-phase AC cable	L1, L2, L3	<ul style="list-style-type: none"> Outdoor single core copper cable, withstand voltage>1000V Conductor cross-sectional area: 1.5mm²-2.5mm² (14AWG-12AWG)
2	Single-phase AC cable	L, N	<ul style="list-style-type: none"> Outdoor copper cable, withstand voltage>300V Conductor cross-sectional area: 2.5mm²-4mm² (12AWG-10AWG)
3	RS485 communication cable	A1-A8, B1-B8	<ul style="list-style-type: none"> Outdoor shielded twisted pair Conductor cross-sectional area: 0.2mm²-1mm² (24AWG-18AWG)
4	Optical fiber	-	<ul style="list-style-type: none"> 4-8 core optical fiber with 1310nm in transmission wavelength Outer diameter ≤18mm (0.71in.)
5	Ethernet cable	ETH	<ul style="list-style-type: none"> Outdoor CAT 5E shielded Ethernet cable Outer diameter<9mm (0.35in.) Shielded RJ45 connector
6	Grounding bar cable	⊕	<ul style="list-style-type: none"> Outdoor copper cable Conductor cross-sectional area: 6mm²-10mm² (8AWG-6AWG)
7	PE cable outside of the equipment	⊕	<ul style="list-style-type: none"> Outdoor copper cable Conductor cross-sectional area: 2.5mm²-4mm² (12AWG-10AWG)

6.2 Connecting the PE Cable

⚠ WARNING

- Connect all grounding points of the equipment nearer.
- Make sure the equipment is reliably grounded before operation.
- To improve the corrosion resistance of the terminal, it is recommended to apply silica gel or paint on the grounding terminal after installing the PE cable.

NOTICE

- Use the OT grounding terminals and screws delivered.
- Prepare the PE cable.

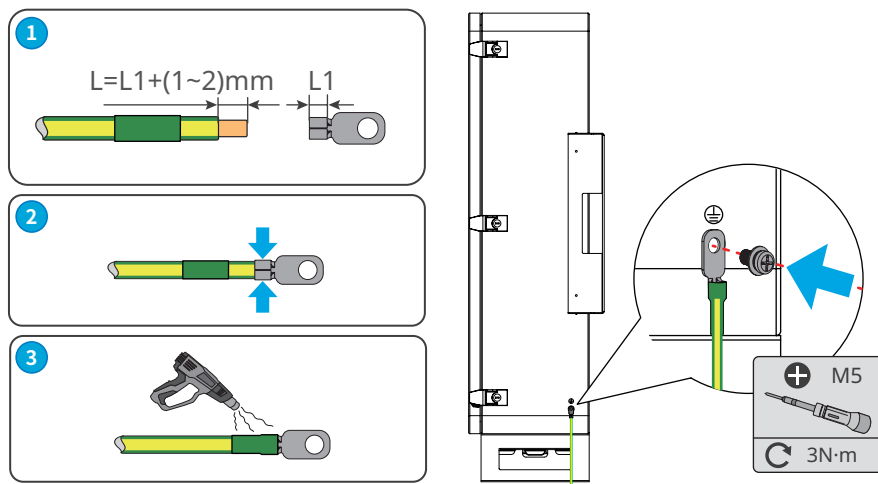
Step 1: Strip an appropriate length of insulation from the cable.

Step 2: Crimp the OT terminals.

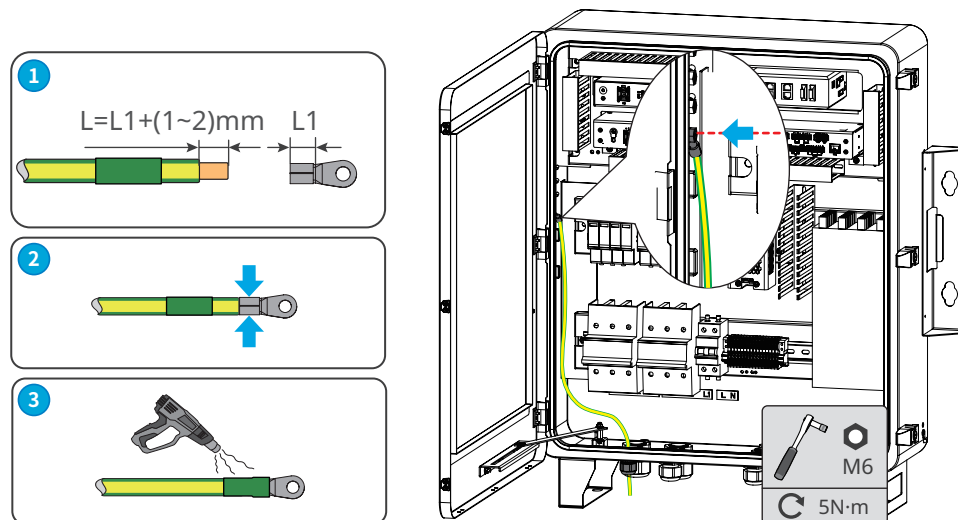
Step 3: Wrap the crimping area with insulation tube.

Step 4: Connect the PE cable to the internal grounding bar of the cabinet.

Connecting the PE cable outside the SCU



(Optional) PE cable inside the SCU



6.3 Three-Phase AC Input Cable

NOTICE

- Multi-core cables are recommended for PLC communication. The maximum communication distance between the inverter and the transformer is 1000m.
- When single-core cables are used, the three phase cables must be bound 1m apart. The maximum communication distance between the inverter and transformer is 500m.
- The sampling cable between the SCU and the busbar of the box-type transformer should not exceed 3 meters.
- When the inverter is connected to a dual-winding transformer, only one PLC communication is required.
- When the inverter is connected to a split transformer, two PLC communication cables are required.

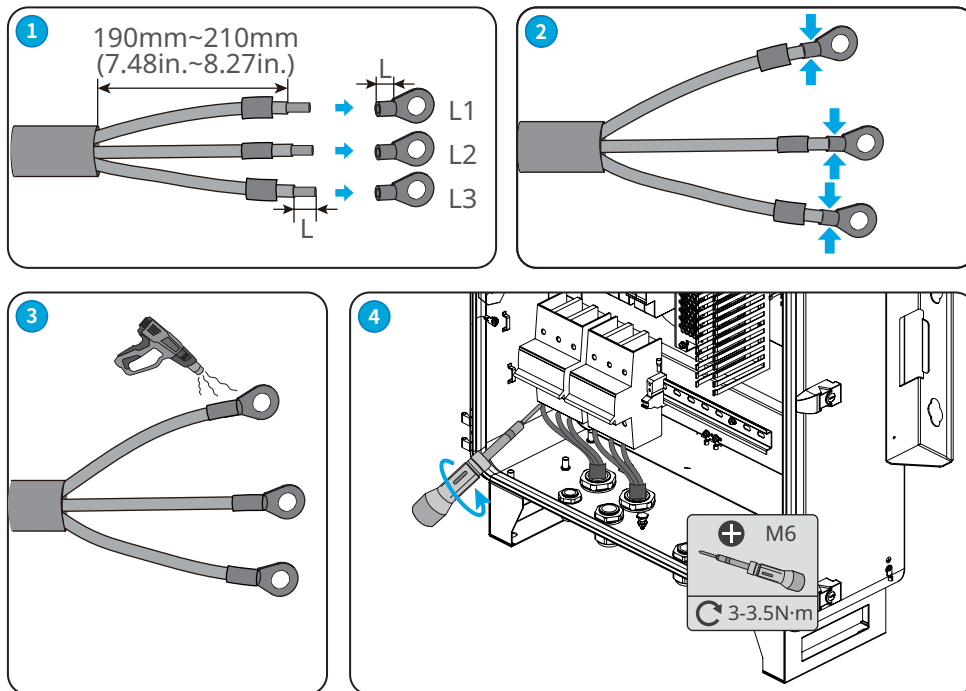
Below is taking the connection of a dual split transformer as an example.

Step 1: Strip an appropriate length of insulation from the cable.

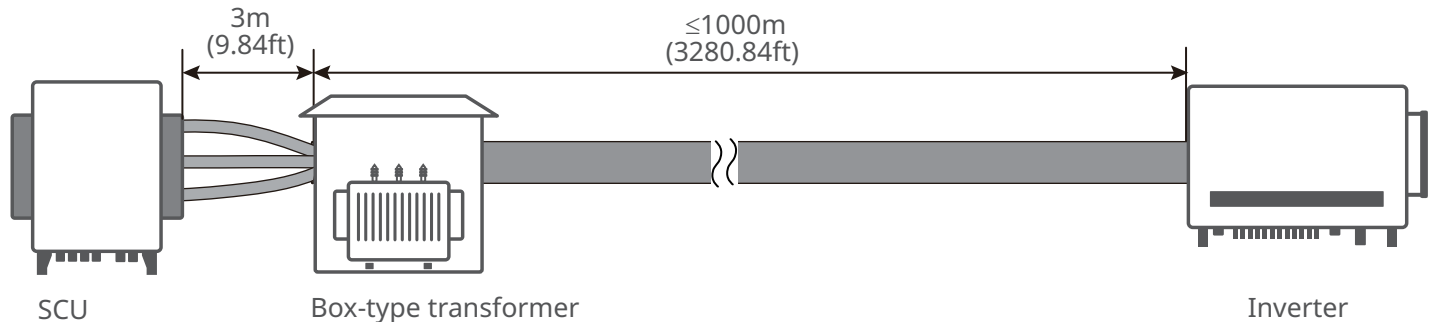
Step 2: Crimp the OT terminals.

Step 3: Wrap the crimping area with insulation tube.

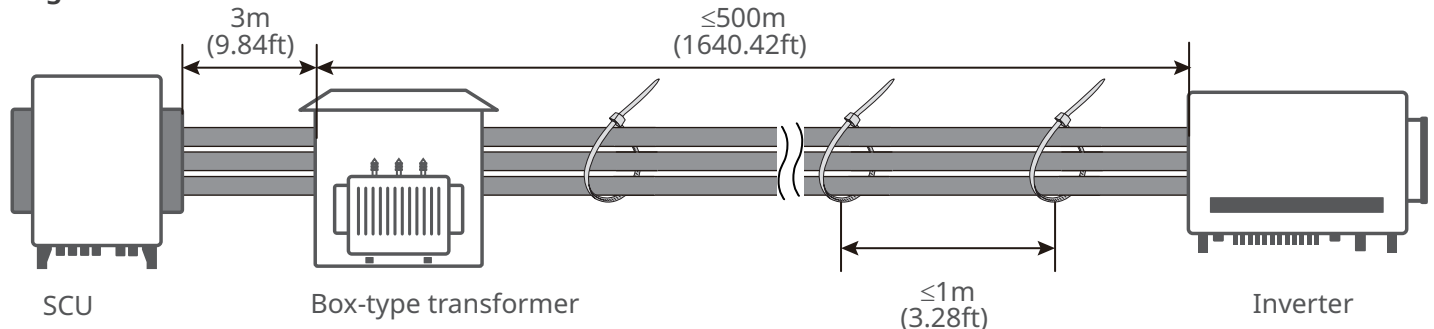
Step 4: Connect the L1, L2, and L3 cables to the three-phase AC switch.



Multi-core cable



Single-core cable



6.4 Connecting the Single-Phase Power Cable

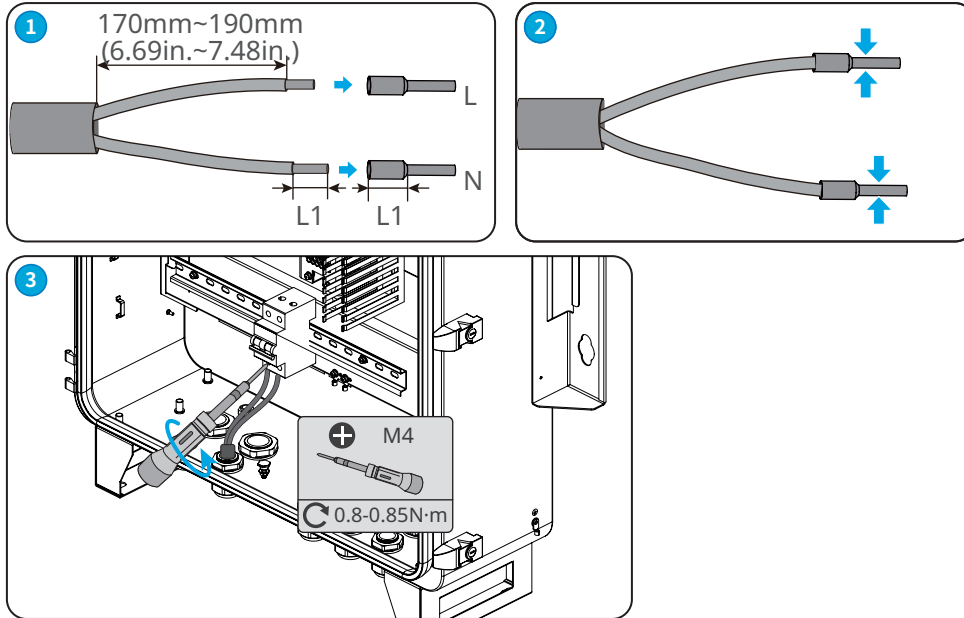
NOTICE

Connect the L and N cables to the L and N terminals of the power supply inside the box-type transformer via a mini circuit breaker

Step 1 Strip an appropriate length of insulation from the cable.

Step 2 Crimp the pin terminals.

Step 3 Connect the L and N cables to the single-phase AC switch.



6.5 Connecting the RS485 Communication Cable

NOTICE

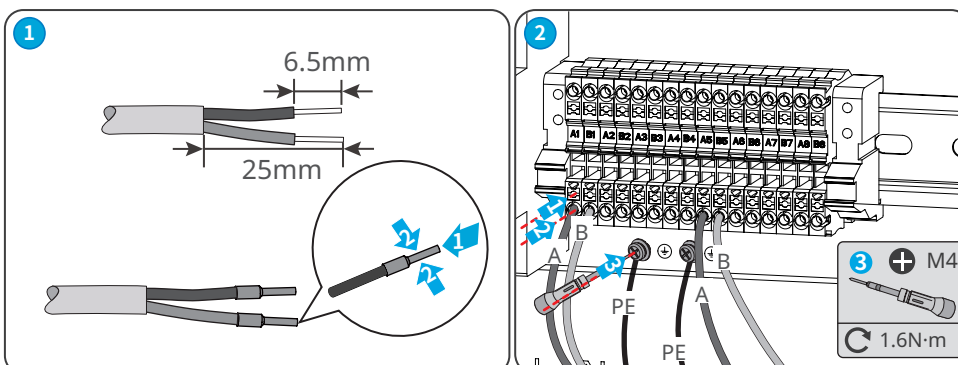
- When using shielded twisted-pair cables, the maximum communication distance with external devices is 1000m.
- The SCU is integrated with an RS485 terminal block to connect and communicate with RS485 device. The connection method for RS485 communication cables is the same. Below is taking the example of the connection of two communication cables.

Step 1 Strip an appropriate length of insulation from the cable and crimp the pin terminal.

Step 2 Connect the shielding layer of the cable to the RS485 grounding point.

Step 3 Insert the communication terminal into the RS485 terminal block.

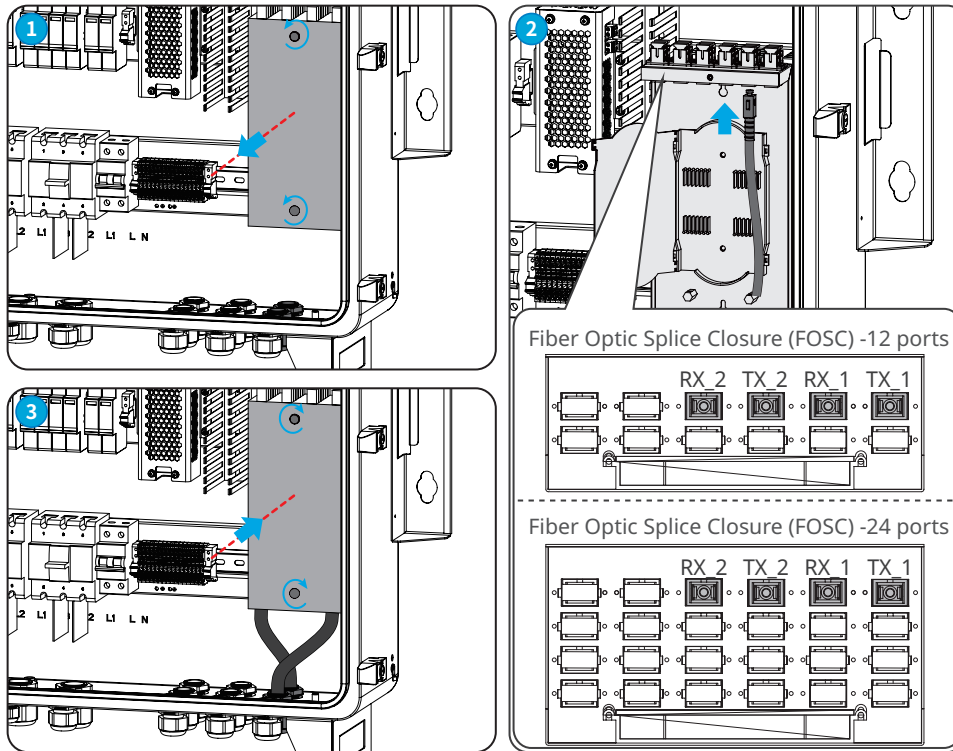
Port	Silkscreen	Port Definition	Port	Silkscreen	Port Definition
RS485-1	A1	RS485-1A	RS485-5	A5	RS485-5A
	B1	RS485-1B		B5	RS485-5B
RS485-2	A2	RS485-2A	RS485-6	A6	RS485-6A
	B2	RS485-2B		B6	RS485-6B
RS485-3	A3	RS485-3A	RS485-7	A7	RS485-7A
	B3	RS485-3B		B7	RS485-7B
RS485-4	A4	RS485-4A	RS485-8	A8	RS485-8A
	B4	RS485-4B		B8	RS485-8B



6.6 Connecting the Optical Fiber

NOTICE

- Use the delivered optical fiber and connecting terminals.
- The connection and fusion of the optical fiber shall be carried out by professionals.



6.7 Connecting the DO/DI/AI/PT100/PT1000 Signal Cable

The equipment reserves "DO", "DI", "AI", "ETH", "PT100/ PT1000" waterproof connectors to route the corresponding signal cables. For signal cable specification, wiring and memory card installation, please refer to Ezlogger 3000U/3000U-A User Manual.

7 Equipment Commissioning

7.1 Check before Power On

No.	Check Item
1	The SCU is firmly installed in a clean place where is well-ventilated and easy to operate.
2	The PE cable, AC output cable, and communication cable are connected correctly and securely.
3	Cable ties are intact, routed properly and evenly.
4	Unused ports and terminals are sealed.
5	The internal of the equipment is clean and tidy, with no dust, dirt and construction leftovers.
6	The paint outside the equipment is intact. If there is damage, please fill the paint immediately to prevent corrosion.
7	The upstream switches and switches inside the SCU are all disconnected.
8	The input voltage and frequency of the SCU are within its working voltage and frequency range.

7.2 Power On

 **WARNING**

- Wear proper PPE before any operations.
- Ensure that the SCU is properly grounded.

8 System Commissioning

8.1 Commissioning the SCU

NOTICE

The parameters of the SCU shall be set by professionals. Incorrect settings may affect system operation and power generation.

For information on how to configure the SCU, including changing the password and restoring factory settings, please refer to Ezlogger3000U&Ezlogger3000U-A User Manual.

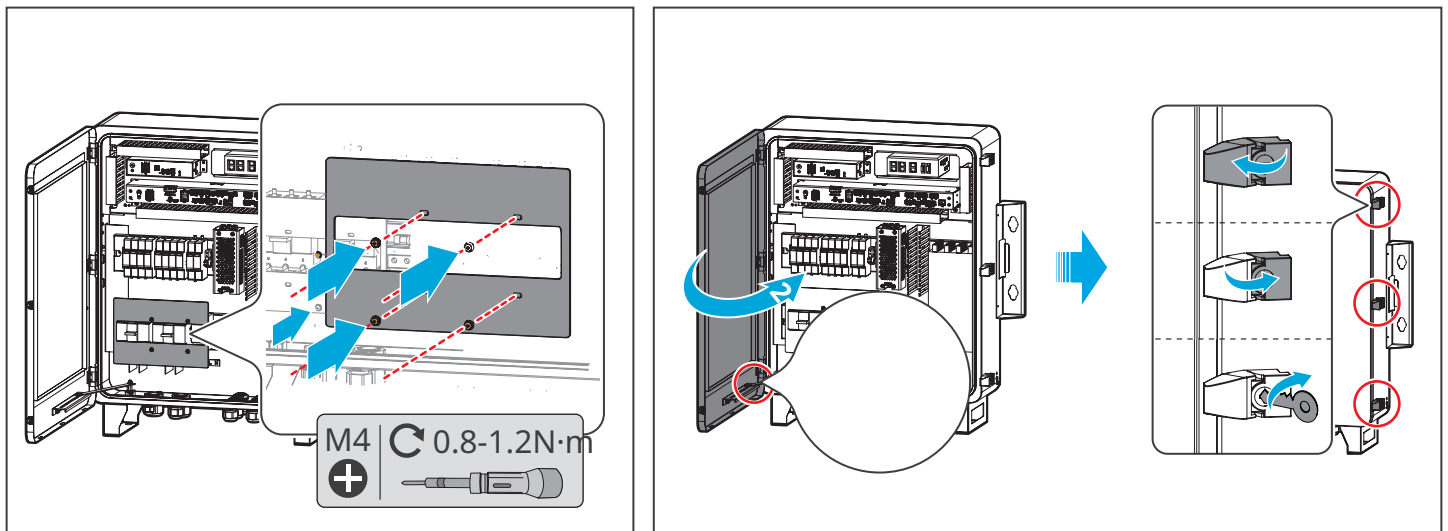


Ezlogger3000U&Ezlogger3000U-A

8.2 Closing the Cabinet Door

NOTICE

- Install the protective cover before closing the door.
- Please lock the cabinet door of the SCU with keys. After locking the door, please keep the keys in a safe place for future use.



9 Maintenance

9.1 Power Off

DANGER

- Power off the SCU before maintain it. Otherwise, the SCU may be damaged or electric shocks may occur.
- Delayed discharge. Wait until the components are discharged after power off.
- Wear proper PPE before any operations.

Step 1 Disconnect the single-phase power switch that supplies power to the SCU from the remote transformer.

Step 2 Disconnect the three-phase power switch that connects the remote transformer to the SCU.

- If the SCU is connected to a single PLC communication, disconnect the three-phase power switch of the corresponding circuit.
- If the SCU is connected to a dual PLC communication, disconnect the three-phase power switched of the corresponding circuits.

Step 3 Disconnect the single-phase input switch inside the SCU.

Step 4 Disconnect the three-phase input switch inside the SCU.

- If the SCU is connected to a single PLC communication, disconnect the three-phase power switch of the corresponding circuit.
- If the SCU is connected to a dual PLC communication, disconnect the three-phase power switched of the corresponding circuits.

9.2 Maintenance

DANGER

Power off the SCU before operations and maintenance. Otherwise, the SCU may be damaged or electric shocks may occur.

NOTICE

- Use keys to open the cabinet door of the SCU. After opening the door, please keep the key in a safe place for future use.
- In case of rainy or snowy weather, take protective measures to prevent the rain or snow from entering the cabinet when opening the cabinet door. If the rain or snow cannot be prevented from entering the cabinet, do not open the cabinet door.
- Before opening the cabinet door, please ensure that the upstream switch of the SCU is disconnected. If energized operation is required, please take appropriate insulation protection measures.

Maintaining Item	Maintaining Method	Maintaining Period
Appearance Checking	<ul style="list-style-type: none"> • Check whether the unit is deformed, damaged, • Check whether there is foreign bodies inside the SCU. 	Once 6 months or once a year
Electrical Connection	<ul style="list-style-type: none"> • Check whether the cables are securely connected. Check whether the cables are broken or whether there is any exposed copper core. • Check whether all the terminals and ports are properly sealed. Reseal the cable hole if it is not sealed or too big. 	Once 6 months or once a year
System running	Check whether the system is running normally.	Once 6 months or once a year
Grounding	Check whether all PE cables are reliably grounded.	Once 6 months or once a year

9.3 Removing the SCU

⚠ WARNING

- Make sure the SCU is powered off.
- Wear proper PPE before any operations.

Step 1: Disconnect all electrical connections, including single-phase AC cables, three-phase AC cables, communication cables, and PE cables.

Step 2: Take the SCU down from the wall or the bracket.

Step 3: Store the SCU properly. If the SCU needs to be used later, ensure that the storage conditions meet the requirements.

9.4 Disposing of the SCU

If the SCU cannot work any more, dispose of it according to the local disposal requirements for electrical equipment waste. Do not dispose of it as household waste.

9.5 Troubleshooting

Perform troubleshooting according to the following methods. Contact the after-sales service if these methods do not work.

Collect the information below before contacting the after-sales service, so that the problems can be solved quickly.

1. Equipment information: Serial number, software version, installation date of the equipment, time of occurrence of the fault, frequency of the fault, etc.
2. Equipment installation environment: It is recommended to provide photos, videos, or other files to assist in analyzing the problem.
3. Utility grid situation.

No.	Fault	Cause	Solutions
1	The equipment is not able to power on.	<ul style="list-style-type: none"> • The power input port of the equipment is not securely connected. • The power adapter is not securely connected to the socket. • The power adapter is malfunctioning. • Equipment malfunction. 	<ul style="list-style-type: none"> • Reconnect the power input ports. • Reconnect the power adapter to the socket. • Replace the power adapter. • If the problem persists, contact your distributor or after-sales service center.
2	ETH communication abnormal	<ul style="list-style-type: none"> • Ethernet cable is not properly connected. • Failed IP address communication between the EzLooger and other equipments connected via Ethernet cable. • Switch or router abnormal. • ETH port damaged. • Equipment malfunction. 	<ul style="list-style-type: none"> • Reconnect the Ethernet cable. • Double-check and set the equipment's IP address to establish successful communication. • Replace the switch or router. • Connect the network cable to another ETH port. • If the problem persists, contact your distributor or after-sales service center.
3	RS485 communication abnormal	<ul style="list-style-type: none"> • RS485 wiring abnormal. • RS485 communication parameter setting abnormal. • Equipment malfunction. 	<ul style="list-style-type: none"> • Check if the cable connections are correct and secure. • Recheck and set the RS485 communication parameters. • If the problem persists, contact your distributor or after-sales service center.

No.	Fault	Cause	Solutions
4	HPLC/PLC communication abnormal	<ul style="list-style-type: none"> HPLC/PLC wiring abnormal. HPLC/PLC communication parameter setting abnormal. Equipment malfunction. 	<ul style="list-style-type: none"> Ensure that the HPLC/PLC cables are properly connected and the switches are closed correctly. Check if the modbus address or MV station number is correct. Check if the HPLC/PLC communication mode is set correctly, including the equipment ID. Check the HPLC/PLC version of the equipment. Contact your distributor or after-sales service center. If the problem persists, contact your distributor or after-sales service center.
5	The web shows the device as Offline or Online but fails to refresh data.	<ul style="list-style-type: none"> The device is offline for a long time Device power switch, program issues, wiring problems 	<ul style="list-style-type: none"> Check whether the MV station number and device RS485 address are correctly configured. Check whether all communication link are on. Check if the inverters have failed. Check whether the inverters' ARM version meet the requirements. If the problem persists, contact your distributor or after-sales service center.
6	Failed to log in to the embedded web.	<ul style="list-style-type: none"> Incorrect IP address or port information Incompatibility between old and new software versions 	<ul style="list-style-type: none"> Check network configuration, ensure the IP address is in the same subnet and the same local area network. Clear browser cache. Log in via https://XXX:443. Check IP address and port information. Restart the device. If the problem persists, contact your distributor or after-sales service center.
7	Inverter not detected in HPLC/PLC network	<ul style="list-style-type: none"> Incorrect device wiring EzLogger model mismatch Outdated inverter software version 	<ul style="list-style-type: none"> Check device wiring status. Verify host/slave HPLC & PLC versions Validate EzLogger model and communication method. Confirm network status.
8	Discrepancy between actual power generation and web display	Inverter time setting error	Log in to the web and perform time calibration. Or use the dedicated APP to configure the inverter time.
9	MQTT connection status abnormal on web	No connection to router or MQTT server	<ul style="list-style-type: none"> If the server rejected connection, verify the router's internet connectivity. If server connection failed: <ul style="list-style-type: none"> check MQTT configuration parameters (server IP, port, username, password). confirm that "Internet" is selected in LAN settings.


10 Technical Parameters


Technical Parameters	SCU3000-S	SCU3000	SCU3000A-S	SCU3000A
Communication				
Max. Inverters Supported	200	200	200	200
RS485 interface	8	8	8	8
Ethernet	2*RJ45, 10/100 Mbps	2*RJ45, 10/100 Mbps	2*RJ45, 10/100 Mbps	2*RJ45, 10/100 Mbps
Number of PLC	1*PLC	2*PLC	1*HPLC	2*HPLC
Input Voltage Range of PLC(V)	800	800	800	800
Configuration				
Datalogger	EzLogger3000U*1	EzLogger3000U*1	EzLogger3000U-A*1	EzLogger3000U-A*1
Fibre Channel Switch	2 optical ports, 6 electrical ports	2 optical ports, 6 electrical ports	2 optical ports, 6 electrical ports	2 optical ports, 6 electrical ports
Fiber Termination Box	24 ports, SC single-mode	24 ports, SC single-mode	24 ports, SC single-mode	24 ports, SC single-mode
Power Supply	100~240Vac, 50/60 Hz	100~240Vac, 50/60 Hz	100~240Vac, 50/60 Hz	100~240Vac, 50/60 Hz
Power Consumption (W)	≤20	≤35	≤20	≤35
Mechanical				
Dimensions (W×H×D mm)	723*780*226	723*780*226	723*780*226	723*780*226
Weight (kg)	25	28	25	28
Installation Method	Wall mounting, bracket mounting, pole mounting	Wall mounting, bracket mounting, pole mounting	Wall mounting, bracket mounting, pole mounting	Wall mounting, bracket mounting, pole mounting
Environment				
Operating Temperature Range (°C)	-30 ~ +60	-30 ~ +60	-30 ~ +60	-30 ~ +60
Storage Temperature Range (°C)	-40 ~ +70	-40 ~ +70	-40 ~ +70	-40 ~ +70
Relative Humidity	5~95%	5~95%	5~95%	5~95%
Max. Operating Altitude (m)	5000	5000	5000	5000
Ingress Protection Rating	IP65	IP65	IP65	IP65



GoodWe Website

GoodWe Technologies Co., Ltd.

 No. 90 Zijin Rd., New District, Suzhou, 215011, China

 www.goodwe.com

 service@goodwe.com



Local Contacts